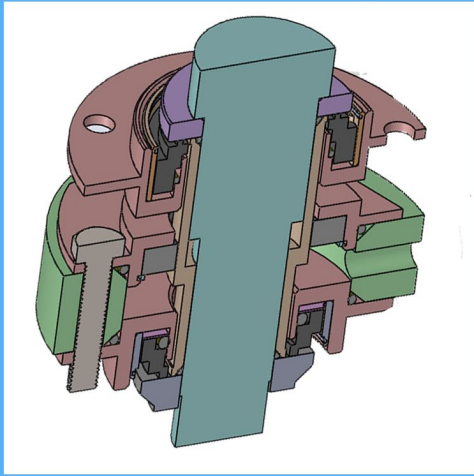


Single Seals

Sundyne Pump Seals

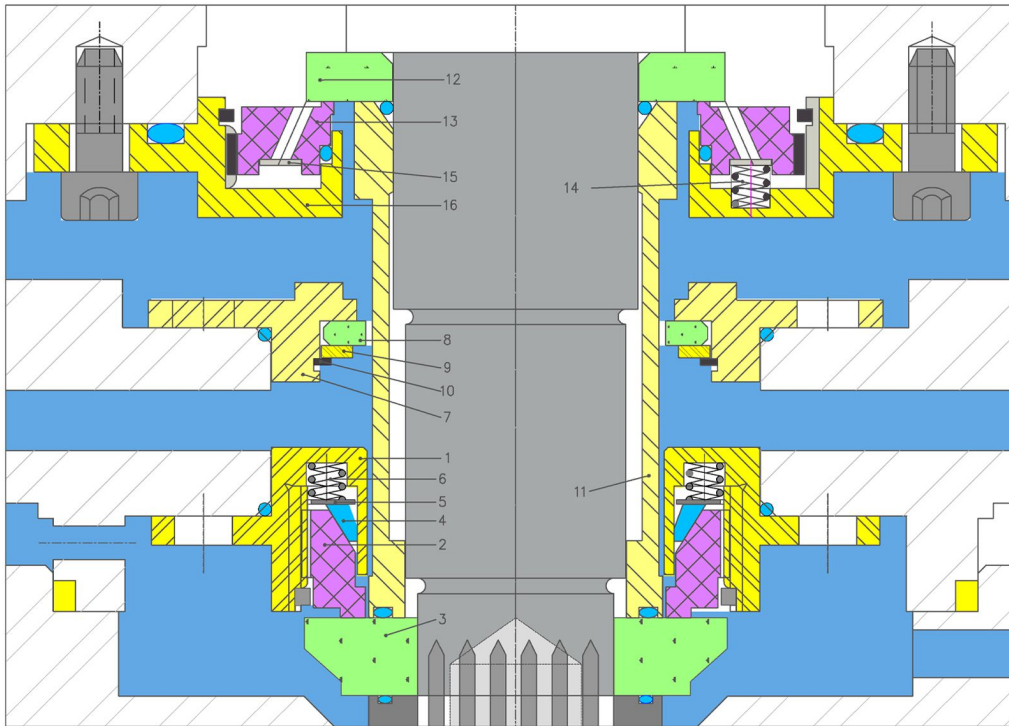


Product Description

1. Single seal configuration
2. Balanced design
3. Independent of direction of rotation
4. Multi spring Stationary

Technical Features

1. Can handle High Speed and High Pressure Services
2. Mainly Used in Integrally geared API pumps
3. Used for non Abrasive and non-hazardous liquids.
4. Needed when quench and purge is used



Industrial Application

Light Hydrocarbons
 Oil and gas industry
 Petro-chemical industry
 Refining technology
 Process pumps

Material Of Construction

Seal Face :Carbon Graphite Antimony Impregnated / Carbon Graphite Resin Impregnated
Seat: Silicon-Carbide/ Tungsten- Carbide
Elastomer: Kalrez / PTFE/ EPDM
Metal Parts: S.S.S.316 / Hast'C / Alloy C-276
Note : Other MOC Combinations On Request

Available Sizes

1.250" and 1.500"

Note : Other Sizes On Request

Operating Limits

Pressure = 41 Kg/cm² (MAX)
Temperature = -40°c to 220°c
Speed = up to 29000 rpm (MAX)
Permissible axial movement = ±2.0

Suitable for Sundyne Pump Models

LMV & LMC - 311, 322, HMP 3000, LMV 341

Item	Description
1,16	Cup (IB & OB)
2,13	Seal ring
3,8,12	Mating Rin (IB&OB)
4,9	Backup ring
5	Thrust Washer
6,14	Spring
7	Gland plate
10	Circlip
11	Sleeve
15	Support plate