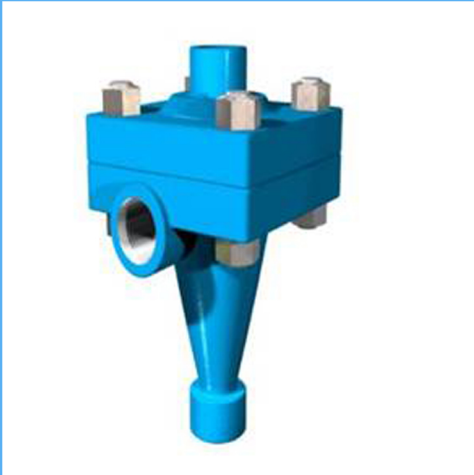


Cyclone Separators

Seal Support System



Product Description

Cyclone separator is a Mechanical device either machined or cast in structure. The lower body and the upper body is sealed with an elastomeric O-ring and is connected with the help of studs and nuts. The internal diameter of the cyclone separator gradually tapers down. It has three ports – inlet, outlet, drain.

OBJECTIVE

1. Cyclone separator is used for removal of dirt and solid particle from the flush liquid so that clean liquid reaches to the mechanical seal or to designed source.
2. It is also used in combination with restriction orifice plate to provide pressure drop and supply the clean liquid with required pressure to the mechanical seals.

Advantages

1. Contaminations including dirt & solid particles are automatically conveyed to the suction nozzle.
2. No consumption of electricity owing to complete mechanical design.
3. High filtration efficiency
4. Low space requirements because of compact design
5. Provides exact required pressure differential with the help of orifice plate.

Technical Features

1. Tangential entry of liquids containing solid particles provides sufficient centrifugal force to create a vortex allowing solid particles to spiral down due to difference in densities of liquid & solid particle.
2. Separation efficiency is maximum when the density of the solids is at least double than that of flush liquid.
3. Operates at best when the minimum pressure differential between discharge and stuffing box is 1.7 bar.
4. Used in combination with orifice plate to achieve required pressure to be provided at the Seal faces

