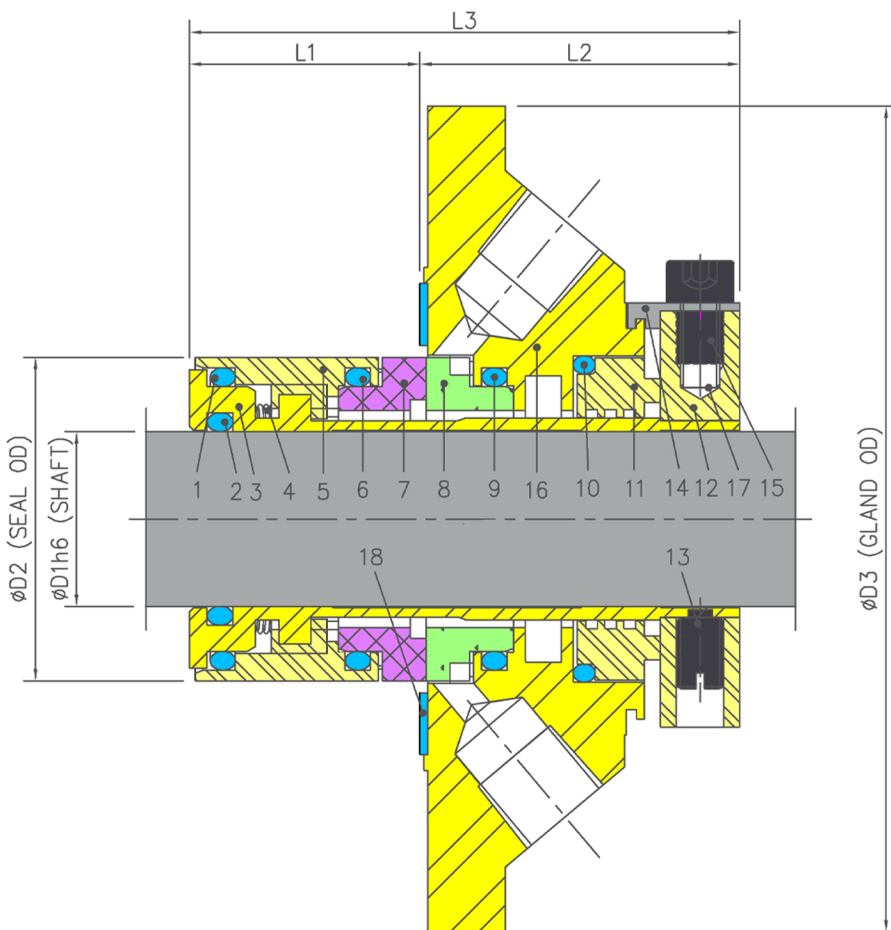


Product Description

1. Single seal configuration
2. Balanced Design
3. Independent of Direction of Rotation.
4. Cartridge Design construction
5. Inside mounted
6. Multi spring rotation

Technical Features

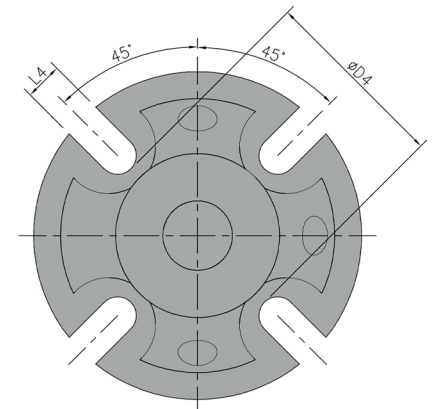
1. Ideal for use in ANSI process pumps
2. Factory assembled for easy installation
3. Rugged design for long operating life
4. Ideal to convert and retrofit pumps with packing's and large OEM production



Item	Description
1,2,6,9,10	O Ring
3	Sleeve
4	Spring
5	Seel Ring Shell
7	Seal Ring
8	Mating Ring

Item	Description
11	Restriction Bush
12	Drive Collar
13	Dog point set screw
14	Holding clip
15	Socket HD Cap
16	Gland plate

Item	Description
17	Socket screw cup
18	Gasket



Industrial Application

ANSI process pumps
 Chemical Industry
 Food and beverage industry
 Petro-chemical Industry
 Pharmaceutical Industry
 Water and waste water technology

Material Of Construction

Seal Face :Carbon Graphite Antimony Impregnated / Carbo Graphite Resin Impregnated / Silicon Carbide / Tungsten-Carbide
Seat : Carbon Graphite Antimony Impregnated / Carbon Graphite Resin Impregnated / Silicon-Carbide/ Tungsten-Carbide
Elastomer :Viton/Aflas/ TTV/EPDM/KALREZ
Metal Parts : S.S.316 / Hast'C

Available Sizes

20mm to 80mm (0.800" to 3.000")

Operating Limits

Pressure = 25 Kg/cm² (MAX)
Temperature = -40°C to 220°C
Speed = 16 m/s (52 ft/s)
Permissible axial movement =
 d1 upto 100mm = ± 0.5 mm
 d1 from 100mm = ± 2.0 mm

Orientation

Dimensional Data

D1								
inch	mm	D2	D3	D4	L1	L2	L3	L4
0.875	22.00	40.73	104.78	60.33	29.00	40.30	69.30	12.00
1.000	25.00	43.93	104.78	60.33	29.00	40.30	69.30	12.00
1.125	28.00	47.12	107.95	60.33	29.00	40.30	69.30	12.00
1.181	30.00	48.72	111.13	63.50	29.00	40.30	69.30	12.00
1.250	32.00	50.31	111.13	63.50	29.00	40.30	69.30	12.00
1.375	35.00	53.50	111.13	66.68	29.00	40.30	69.30	12.00
1.500	38.00	56.68	127.00	71.93	29.00	40.30	69.30	12.00
1.575	40.00	58.28	127.00	71.93	29.00	40.30	69.30	12.00
1.625	42.00	59.87	127.00	71.93	29.00	40.30	69.30	12.00
1.750	43.0/45.0	63.05	133.35	76.76	29.00	40.30	69.30	12.00
1.875	46.0/48.0	66.24	133.35	76.76	29.00	40.30	69.30	12.00
2.000	50.00	69.42	139.70	86.00	29.00	40.30	69.30	12.00
2.125	53.00	72.60	146.05	93.65	29.00	40.30	69.30	16.00
2.165	55.00	74.19	146.05	93.65	29.00	40.30	69.30	16.00
2.250	58.00	75.78	146.05	93.65	29.00	40.30	69.30	16.00
2.375	60.00	78.97	152.40	100.00	29.00	40.30	69.30	16.00
2.500	63.00	83.74	177.80	109.52	29.00	40.30	69.30	16.00
2.625	65.00	86.92	177.80	109.52	29.00	40.30	69.30	16.00
2.750	70.00	90.10	177.80	109.52	29.00	40.30	69.30	16.00
2.875	73.00	93.27	177.80	125.40	29.00	40.30	69.30	16.00
3.000	75.00	96.45	190.50	125.40	29.00	40.30	69.30	16.00

Note: Additional technical & dimensional information will be provided on request