

# ROCART-DE

## Cartridge Seals



### Product Description

1. Dual seal configuration
2. Balanced Design
3. Independent of Direction of Rotation.
4. Cartridge Design construction
5. Double pressure balanced

### Technical Features

1. Ideal for use in ANSI process pumps
2. Cartridge unit factory assembled for easy installation
3. Rugged design for long operating life
4. Ideal to convert and retrofit pumps with packing and large OEM production



### Industrial Application

ANSI process pumps  
 Chemical Industry  
 Food and beverage industry  
 Petro-chemical Industry  
 Pharmaceutical Industry  
 Water and waste water technology  
 Paper and pulp industry  
 Mining and sugar industry

### Material Of Construction

**Seal Face:** Carbon Graphite Antimony Impregnated / Carbon  
 Graphite Resin Impregnated / Silicon Carbide  
 Tungsten-Carbide  
**Seat :** Carbon Graphite Antimony Impregnated / Carbon Graphite Resin Impregnated / Silicon-Carbide/ Tungsten-Carbide  
**Elastomer :** Viton / Aflas /EPDM/KALREZ  
**METAL PARTS :** S.S.316 / Hast'C

Note : Other MOC Combinations On Request

### Available Sizes

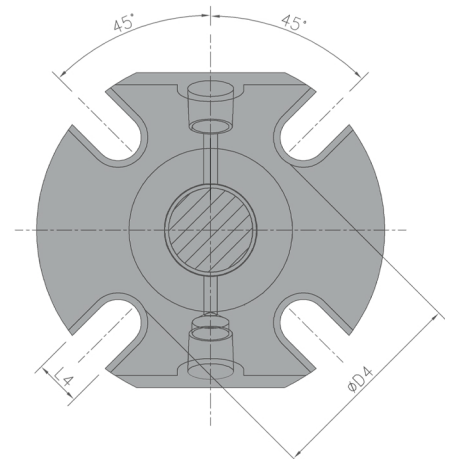
25mm to 100mm ( 1.000" to 4.000")

Note : Other Sizes On Request

### Operating Limits

**Pressure** = 25 Kg/cm<sup>2</sup> (MAX)  
**Temperature** = -40°C to 220°C  
**Speed** = 16 m/s  
**Permissible axial movement** =  
 d1 upto 100mm = ± 0.5 mm  
 d1 from 100mm = ± 2.0 mm

### Orientation



Item	Description
1,9	Seal ring IB &OB
3,11	Spring IB &OB
4,12	MR IB&OB
6	Sleeve
8	Gland plate
14	Drive Collar

Item	Description
16	Set Screw
17	Circlip
18	Holding clip
19	Head cap screw
20	Gasket
21	Dog point screw

Item	Description
2,5 7,10, 13,15	O Ring

## Dimensional Data

D1								
INCH	MM	D2	D3	D4	L1	L2	L3	L4
1.000	025	43.00	105.00	65.00	33.10	53.40	86.50	12.50
1.125	028	46.00	105.00	65.00	33.10	53.40	86.50	12.50
-	030	48.00	105.00	65.00	33.10	53.40	86.50	12.50
1.250	032	49.80	110.00	70.00	33.10	53.40	86.50	12.50
-	033	49.80	110.00	70.00	33.10	53.40	86.50	12.50
1.375	035	53.00	113.00	72.00	33.10	53.40	86.50	12.50
1.500	038	56.00	123.00	75.00	33.10	53.40	86.50	12.50
-	040	58.00	123.00	75.00	33.10	53.40	86.50	14.00
1.625	-	59.44	122.99	75.00	33.10	53.39	86.36	14.00
-	042	60.50	133.00	80.00	33.10	53.40	86.50	14.00
-	043	60.50	133.00	80.00	33.10	53.40	86.50	14.00
1.750	045	62.50	138.00	82.00	33.10	53.40	86.50	14.00
1.875	048	65.60	138.00	82.00	33.10	53.40	86.50	14.00
2.000	050	68.00	148.00	90.00	33.10	53.40	86.50	14.00
2.125	053	72.00	148.00	90.00	33.10	53.40	86.50	18.00
-	055	73.00	148.00	90.00	33.10	53.40	86.50	18.00
2.250	-	75.18	157.00	100.00	33.10	53.39	86.36	18.00
2.375	060	78.00	157.00	100.00	33.10	53.40	86.50	18.00
2.500	-	81.58	162.99	109.00	33.10	53.39	86.36	18.00
-	065	84.80	163.00	109.00	33.10	53.40	86.50	18.00
2.625	-	84.79	162.99	109.00	33.10	53.39	86.36	18.00
2.750	070	93.00	178.00	120.00	33.10	53.40	86.50	18.00
2.875	-	100.00	189.99	126.00	44.09	63.91	107.95	18.00
3.000	075	100.00	190.00	129.00	44.10	63.90	108.00	18.00
3.125	-	106.43	195.00	132.00	44.09	63.91	107.95	18.00
3.250	080	106.40	195.00	135.00	44.10	63.90	108.00	18.00
3.375	085	109.50	198.00	139.00	44.10	63.90	108.00	22.00
3.500	-	112.70	197.99	142.00	44.09	63.91	107.95	22.00
3.625	090	115.90	205.00	145.00	44.10	63.90	108.00	22.00
3.750	095	119.10	208.00	148.00	44.10	63.90	108.00	22.00
4.000	100.00	125.40	218.00	154.00	44.10	63.90	108.00	22.00

**Note: Additional technical & dimensional information will be provided on request**